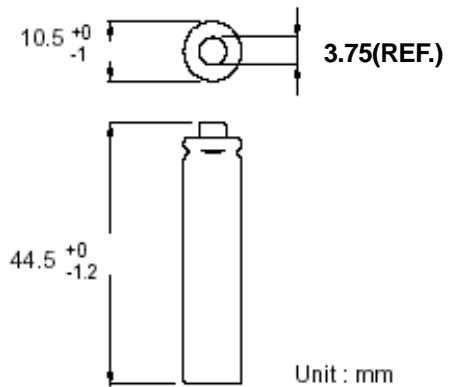
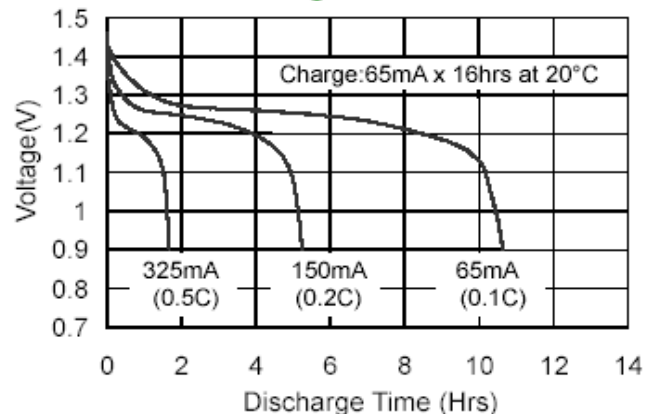


Model No.: GP65AAAHC

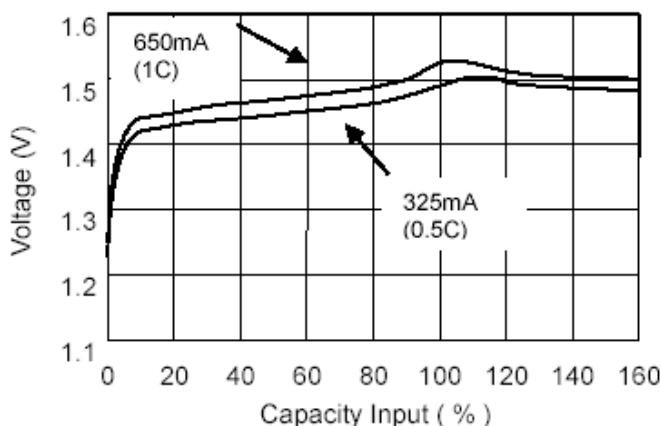
Type	: Rechargeable Nickel Metal Hydride Cylindrical Cell
Nominal Dimension (with Sleeve)	: $\Phi = 10.5\text{mm}$ H = 44.5mm
Applications	: Recommended discharge current 65 to 1950mA
Nominal Voltage	: 1.2V
Capacity	: Nominal: 650mAh Minimum: 650mAh Typical: 680mAh When discharged at 130mA to 1.0V at 20
Charging Condition	: 65mA for 16 hrs at 20
Charging Retention	: 70% of nominal capacity after cell storage at 20 for 6months
Fast Charge	: 325mA to 650mA (0.5 to 1C) charge termination control recommended control parameters: - ΔV : 0-5mV DT/dt : 0.8 /min (0.5 to 0.9C) 0.8 - 1 /min (1C) TCO : 45 - 50 Timer : 105% nominal input (for ref. only)
Service Life	: >500 cycles (IEC standard) not less than 60% of nominal at 0.1C charged / 0.2C discharged
Continuous Overcharge	: 65mA maximum current for 1 year. No conspicuous deformation and/or leakage
Weight	: 13.0g
Internal Resistance	: Average 45m Ω upon fully charged (Range 30 - 60m Ω) at 1000Hz
Max. Charging Voltage	: 1.5V at 65mA charging
Ambient Temperature Range	: Standard Charge : 0 to 45 Fast Charging : 10 to 45 Discharge : -20 to 50 Storage : -20 to 35



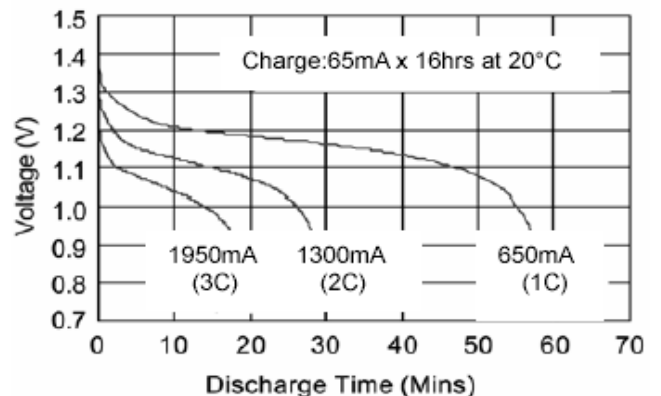
Low Rate Discharge



Fast Charge (Charge control required)



High Rate Discharge



The information (subject to change without prior notice) contained in this document is for reference only and should not be used as a basis for product guarantee or warranty. For applications other than those described here, please consult your nearest GP Sales and Marketing Office or Distributors.